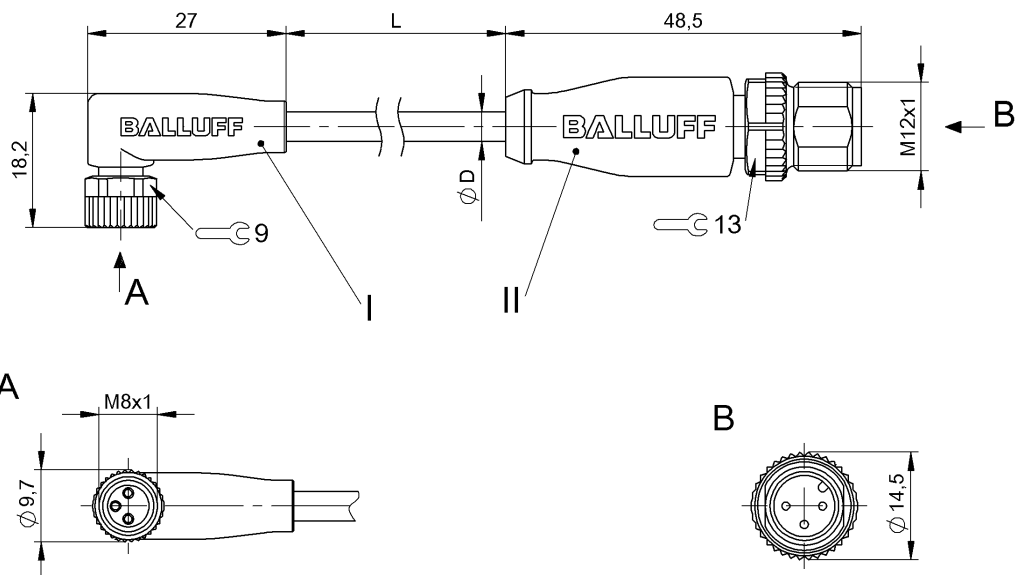


Double-Ended Cordsets
BCC M323-M413-3E-602-PW3334-075
 Order Code: **BCC0L5P**

BALLUFF



Basic features

| | |
|---------------------|---------------------|
| Application | Welding area |
| Approval/Conformity | CE cULus WEEE |

Display/Operation

| | |
|----------------------------|--------------|
| Function indicator (Pin 4) | LED yellow |
| Power indicator | LED green/no |

Electrical connection

| | |
|-------------------------------------|---|
| Bending radius min., fixed cable | 5 x D |
| Bending radius min., flexible cable | 10 x D |
| Cable | PUR welding spark resistant Orange, 7.5 m, drag chain compatible |
| Cable diameter D | 4.00 mm ±0.10 mm |
| Cable, bending cycles min. | 10 mil. |
| Cable, torsion stress | ±360°/m |
| Conductor cross-section | 0.34 mm ² |
| Connection 1 | M8x1-Female, angled, 3-pin, A-coded |
| Connection 2 | M12x1-Male, straight, 3-pin, A-coded |
| Number of conductors | 3 |
| System | Molded/Molded |

Electrical data

| | |
|----------------------------------|--------|
| Operating voltage U _b | 30 VDC |
| Rated current (40 °C) | 4.0 A |

Environmental conditions

| | |
|---|-------------------------------|
| Cable temperature UL max., fixed routing | 80 °C |
| Cable temperature UL max., flexible routing | 80 °C |
| Cable temperature, drag chain | -25...60 °C |
| Cable temperature, fixed routing | -50...90 °C |
| Cable temperature, flexible routing | -25...90 °C |
| IP rating | IP67, IP69K/IP67, IP68, IP69K |

Interface

| | |
|------------------|------------------------|
| Switching output | PNP normally open (NO) |
|------------------|------------------------|

Material

| | |
|-----------------------------|--|
| Cable jacket material, note | welding spark resistant |
| Cable jacket, material | PUR |
| Material contact carrier | PUR/PUR |
| Material contacts | Bronze/Brass |
| Material cover nut | Die-cast zinc or nickel plated brass/Die-cast zinc |
| Material grip | PUR/PUR |

Double-Ended Cordsets
BCC M323-M413-3E-602-PW3334-075
Order Code: BCC0L5P



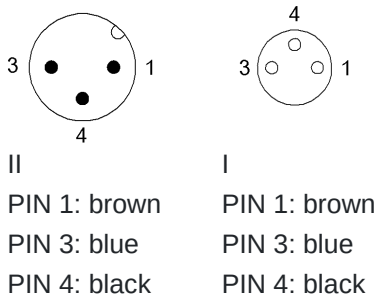
Mechanical data

| | | | |
|--------------------------------------|-----------------------|--|---------------|
| Acceleration max., drag chain | 5 m/s ² | Horizontal travel permitted, drag chain | 5 m |
| Cable jacket, color | Orange | Tightening torque pigtail | 0.4 Nm/0.6 Nm |
| Cable length L | 7.50 m | Traverse speed max., drag chain | 200 m/min |
| Cable properties | drag chain compatible | Vertical travel permitted, drag chain | 2 m |

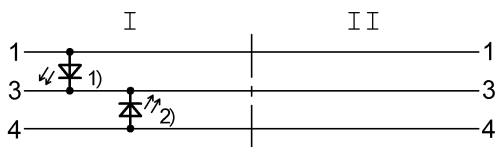
Remarks

Cable construction acc. to UL-AWM Style 20549
 Halogen-free per DIN VDE 0472 Part 815
 Silicone-free
 Flame resistance per UL FT2
 Enclosure rating per IEC 60529 or 20653, only in screwed state with the associated mating piece.

Connector Drawings



Wiring Diagrams



- 1) Green LED = Power
- 2) Yellow LED = Function